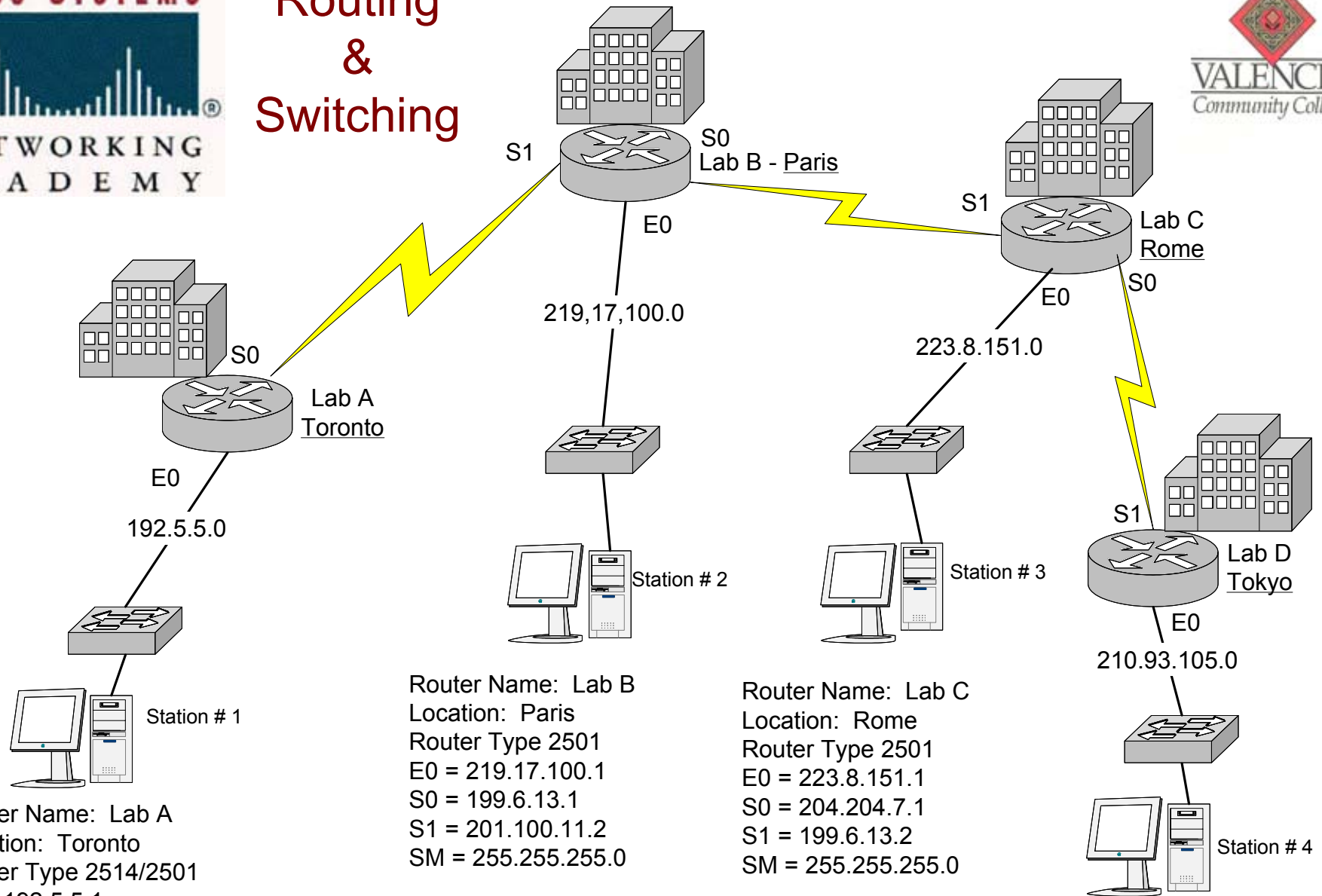


Routing & Switching



Router Name: Lab A
 Location: Toronto
 Router Type 2514/2501
 E0 = 192.5.5.1
 S0 = 201.100.11.1
 SM = 255.255.255.0

Router Name: Lab B
 Location: Paris
 Router Type 2501
 E0 = 219.17.100.1
 S0 = 199.6.13.1
 S1 = 201.100.11.2
 SM = 255.255.255.0

Router Name: Lab C
 Location: Rome
 Router Type 2501
 E0 = 223.8.151.1
 S0 = 204.204.7.1
 S1 = 199.6.13.2
 SM = 255.255.255.0

Router Name: Lab D
 Location: Tokyo
 Router Type 2620/2621
 E0 = 210.93.105.1
 S1 = 204.204.7.2
 SM = 255.255.255.0

Routers with dual Ethernet Interfaces (2514, and 2621) can be configured to route for network 205.7.5.0 on Interface. E1
 E1 = 205.7.5.1 (Optional)