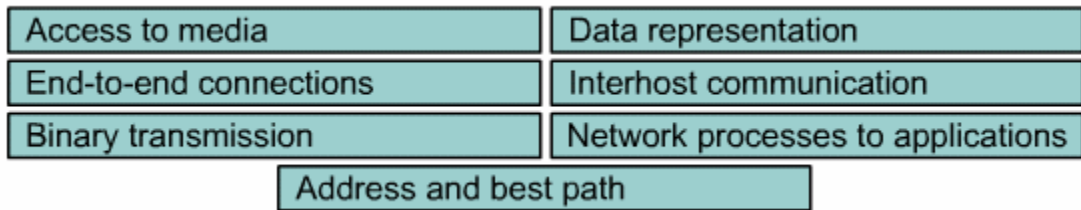
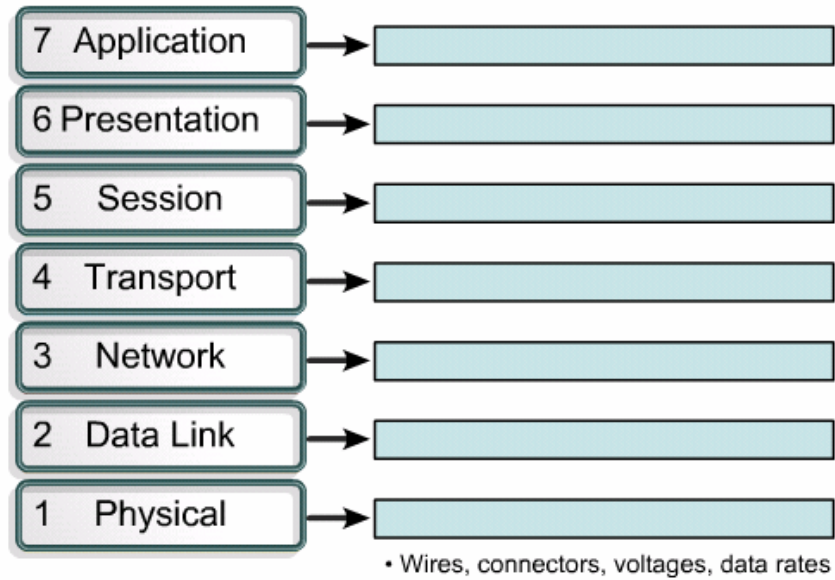
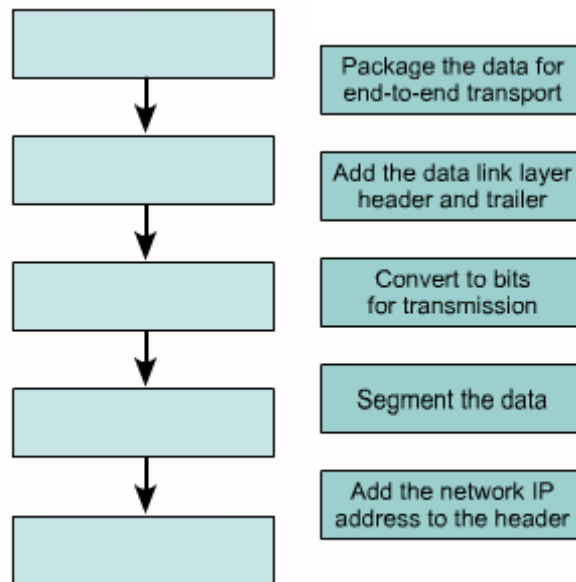


OSI Model Characteristics Exercise--(Match the Following)



Encapsulation Process Exercise--(List Processes in the Correct Sequence/Order)



OSI Model Characteristics and Devices

List the seven layers of the OSI model and the encapsulation unit used to describe the data grouping at each layer. Also list the networking devices that operate at each layer, if applicable.

| Layer # | Name | Encapsulation Unit or Logical Grouping | Devices or Components that Operate at this Layer |
|---------|------|--|--|
| 7 | | | |
| 6 | | | |
| 5 | | | |
| 4 | | | |
| 3 | | | |
| 2 | | | |
| 1 | | | |